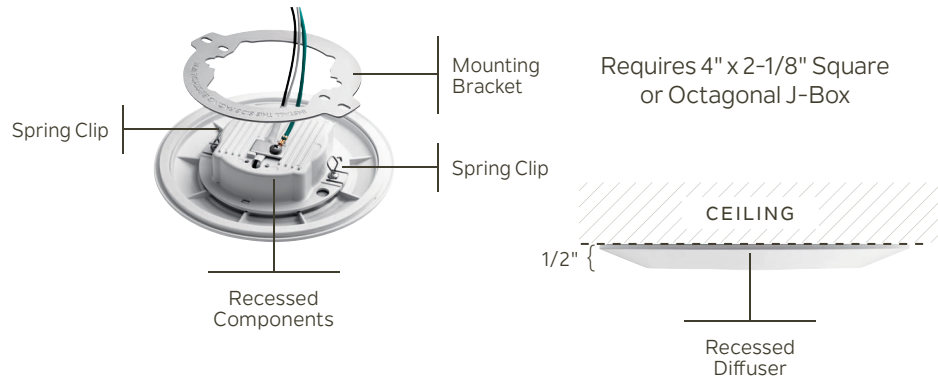


Polycarbonate Diffuser



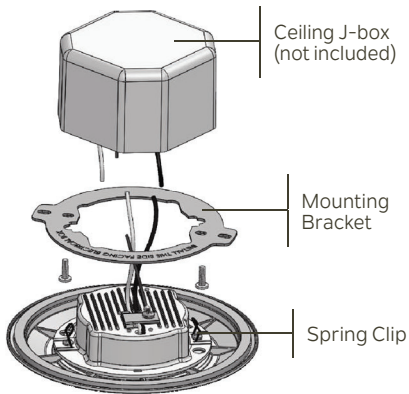
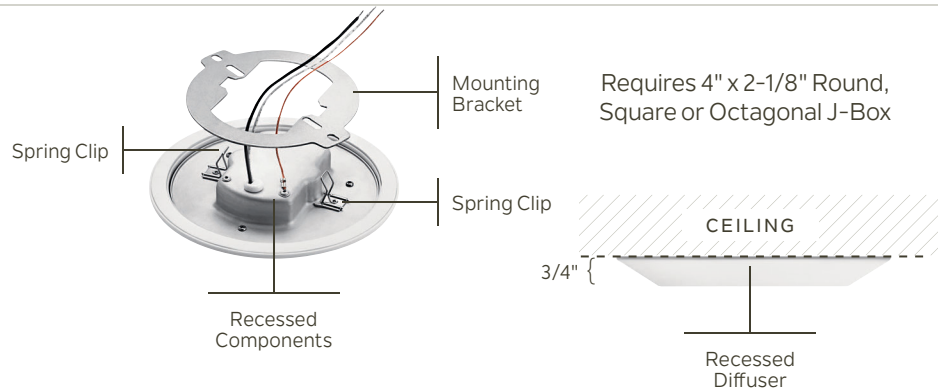
A 43855 WHLED30T



Glass Diffuser



B 43870 WHLED27
43870 WHLED27B
43870 WHLED30
43870 WHLED30B



Horizon LED Downlights

Ideal for new construction when specified with a 4" wide x 2-1/8" deep junction box (J-box shape varies per item)

Offers the sleek, hidden appeal of a recessed fixture with its slender profile

Well-dispersed, ambient lighting

Single fixture to order, track and install

ITEM #	FINISH	LIGHT SOURCE	LED FIXTURE OUTPUT	DIMENSIONS	HCWO	NOTES
A 43855	WHLED30T	(1) 12.5W	3000K, 90 CRI, 850 Lumens, 68 LPW	6.5W x 1.25H	3.25	Dimmable. Wet indoor ceiling, damp indoor wall. JA-8 compliant.
B 43870	WHLED27, WHLED27B, WHLED30, WHLED30B	(1) 12.5W	2700K, 90 CRI, 850 Lumens, 68 LPW 3000K, 90 CRI, 850 Lumens, 68 LPW	6.5W x 1.25H	3.25	Dimmable. Wet indoor ceiling, damp indoor wall, damp outdoor ceiling. Item number with "B" signifies 24 count bulk pack.

Measurements shown in inches.

Wet/Damp Ratings: Kichler® downlights are Wet rated for indoor ceiling applications like showers. When considering outdoor or wall applications, follow Damp guidelines (under eave, or away from direct contact with elements) as recommended in the above chart.

For the most up to date specs, wet/damp ratings, and additional color temperatures, visit Kichler.com.